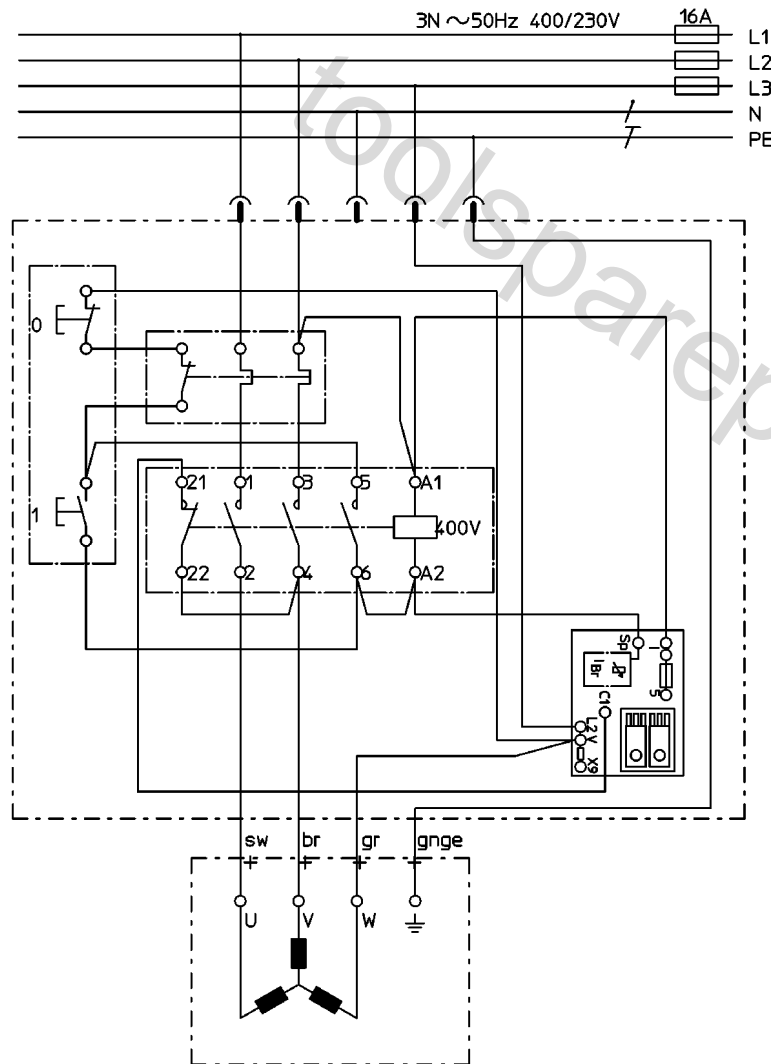


Position	Amount	Type number	Description	PG
1	1	1382206343	TABLE PANEL BL 2,50X736X1071	47
2	1	1393205551	TABLE INSERT EXTRUSION 549,5 +-0,3 MM	25
3	1	1392205035	CROSSHEAD BL 2,50X86X656	22
4	1	1392205108	GUARD SUPPORT BRACKET BL 2,99X145X354	23
15	1	1010208978	RIP FENCE	35
16	1	6632111175	BOLT WITH HEAD	13
17	1	2390205484	Cam lock lever	19
18	1	1392205620	Clamping plate, BL 1X26X91,5	12
19	1	1383206460	FENCE GUIDE EXTRUSION 543,5 MM	32
20	1	1492091649	END PIECE BL 2X26X35	10
21	1	1142206451	SCALE 0,20X13X537,5 0-45,05 CM	27
22	1	2010200922	MITRE FENCE	32
23	1	2391205283	GUIDE PIECE	19
24	1	1390205739	MITRE FENCE	37
25	1	1010017587	GLIDE PIECE ET	15
26	1	1110205593	ANGLE SCALE	18
27	1	2391205615	CARRIER, VERNIER SCALE	12
28	1	1110205607	VERNIER SCALE 1,00	13
30	1	2380075353	iving knife carrier	21
31	1	1482706092	SPLITTING BLADE BL 3,00X234X329 BKH/BKS4	36
32	1	1382213749	PRESSURE PLATE BL 2,99X80X60	12
37	1	1392205116	GUARD SUPPORT PLATE BL 2,99X102X125	14
38	1	1482706106	GUARD SUPPORT BL 3,00X177X315 BKH/BKS450	40
39	1	1382641082	SAW BLADE GUARD CARRIER BL 1,50X70X388	21
40	1	2391206204	SAW BLADE GUARD	28
42	1	1394201630	Push stick	19
43	1	1492102829	Key	20
44	1	1492103230	LIFTING EYE 2,99X90X112	15
45	1	1495102528	CROSSCUT FENCE GUIDE ROD RD25X986	33
46	1	1492105054	BRACKET BL 4X70X182	18
47	1	1380214560	BLADE COLLAR, INNER RD 30	30
48	1	1380214578	BLADE COLLAR, OUTER	32
49	1	1382214133	SWITCH PLATE BL 2,99X85X180	25
51	1	1010641019	LEG	30
52	1	1382641031	STANCHION BL 1,5X118X703	25
53	1	1382641058	DIAGONAL STRUT BL 2,5X30X830	26
54	1	1382641074	DIAGONAL STRUT BL 2,5X30X591	20
59	1	6103083956	HEXAGON HEAD SCREW M 12X1,5 LINKS X30 VE	13
65	1	1395205400	HEXAGON FIT BOLT SW 19X42	17
66	1	7051207240	PRESSURE SPRING	10
67	1	1395205516	SCREW 6KT 17X30 M 8	14

68	1	1382206319	CHIP CASE BL 1,5X812X410	31
71	1	1482206294	MOTOR SEAT BL 2,99X134X230	20
72	1	1382206289	BRACKET BL 2,5X195X100	15
73	1	1382206270	RIVING KNIFE CARRIER BL 2,99X410X114	26
74	1	1382206327	CHIP CASE COVER BL 1,5X684X391	31
81	1	141123420	Self-tapp. counters. screw	10
82	1	6172015687	CROSS REC'D PAN HEAD TAP.SCREW	10
85	1	141122870	Self-tap. fill. h. screw	10
88	1	6172091014	Fillister head screw	10
89	1	6131047582	CROSS RECESSED FLAT HEAD SCREW M 6X16 VE	10
90	1	6103001178	Hex head screw	10
93	1	141110290	Hexagon head screw	12
94	1	6103015675	Hex head screw	10
96	1	141113330	Hexagon head screw	12
97	1	141110090	Hexagon head screw	12
99	1	6110000640	CUP SQUARE NECK SCREW M 8X25 VERZ.	10
100	1	6110091603	CUP SQUARE NECK SCREW M 10X30 VERZ.	10
101	1	6110085743	CUP SQUARE NECK SCREW M 10X25 VERZ.	10
102	1	6110000624	CUP SQUARE NECK SCREW M 6X45 VERZ.	10
103	1	6110149253	CUP SQUARE NECK SCREW M 12X40 VERZ.	12
104	1	141151940	Washer	10
105	1	6305002486	Washer	10
107	1	141150050	Washer	10
109	1	6202002291	HEXAGON NUT, PREV. TORQUE TYPE	10
110	1	6202002305	HEXAGON NUT, PREV. TORQUE TYPE	10
113	1	6302085941	WAVE SPRING WASHER B 12 VERZ.	10
114	1	6161029309	Grub screw	10
115	1	6205029131	HEXAGON THIN NUT	10
121	1	7016050711	STARLOCK	10
123	1	1391019971	LAMELLAR PLUG 60X25 VL SCHWARZ	12
125	1	7006073730	RATCHET LOCK LEVER, FEMALE M 10 IG 18 MM	21
126	1	141130100	Hexagonal nut	10
128	1	7000074122	STARKNOB NUT M 10 / RD 63 VERZINKT	14
129	1	6209002432	FLANGE NUT	13
131	1	6442059304	SPACER SLEEVE	10
132	1	8242051328	CABLE CLIP	13
133	1	7006072385	Clamping lever	18
134	1	6721608849	FEATHER KEY A 8X7X35 ET	10
136	1	8132719579	SWITCH SSK UC400V M=7,8A PHW K3000B/ST6/	58
137	1	6131009460	CROSS RECESSED FLAT HEAD SCREW	10
138	1	6209110995	Flange nut	10
139	1	6172001791	Fillister head screw w. cross head	10

140	1	141150010	Washer	10
141	1	0910008854	SAW BLADE CR-STEEL 450X2,5X30 Z=36 SP GE	
142	1	0100015501	MOTOR, CIRCULAR SAW BENCH 5,50 DNB	68
143	1	141113200	Fillister head screw	10
144	1	141130070	Hexagonal nut	10
145	1	6103001356	HEXAGON HEAD SCREW M 6X16 VERZ.FLECKBESC	10
146	1	6305002508	WASHER B 13 VERZ.	10
148	1	141150140	Washer	10
149	1	6202002313	HEXAGON NUT, PREV. TORQUE TYPE	10
150	1	6209114230	Flange nut	10
152	1	141150130	Washer	10
153	1	6127059207	Cap screw	10



	Litzenfarben	Colour of strands	Couleur des cordons
BK	schwarz	black	noir
WH	weiß	white	blanc
BU	blau	blue	bleu
YE	gelb	yellow	jaune
RD	rot	red	rouge
TR	transparent	transparent	transparent
BN	braun	brown	brun
GY	grau	grey	gris
GNYE	grün-gelb	green-yellow	vert-jaune
BKWH	schwarz-weiß	black-white	noir-blanc
GN	grün	green	vert
OG	orange	orange	orange
VT	violett	violet	violet
TQ	türkis	turquoise	turquoise

	Bedeutung der Kurzzeichen	Meaning of the symbols	Interprétation des symboles
B	Stecker	plug	fiche
C	Kondensator	condenser	condensateur
D	Funkentstördrossel	interference suppression inductance	inductance d'antiparasitage
E	Elektronik-Baustein	electronic unit	unité électronique
I	Induktionsspule	induction coil	bobine d'inductance
K	Klemme	terminal	borne
L	Licht	light	lumière
M	Motor	motor	moteur
O	Überlastschutz	overload cut-out	déclencheur de surintensité
R	Drehrichtungsumschalter	reversing switch	commutateur droite-gauche
S	Schalter	switch	interrupteur
U	Umschalter	change-over switch	commutateur
X	Elektronik-Element	electronic element	élément électronique